



# mipalloy®

Complete Competence in Copper



MIG / Co<sub>2</sub> Welding Contact Tips

Mipalloy is India's Largest  
Manufacturer of  
MIG / Co<sub>2</sub> Welding Contact Tips



**The Prematerial for our MIG welding contact tips are from Mitsubishi Materials Corporation, Japan**

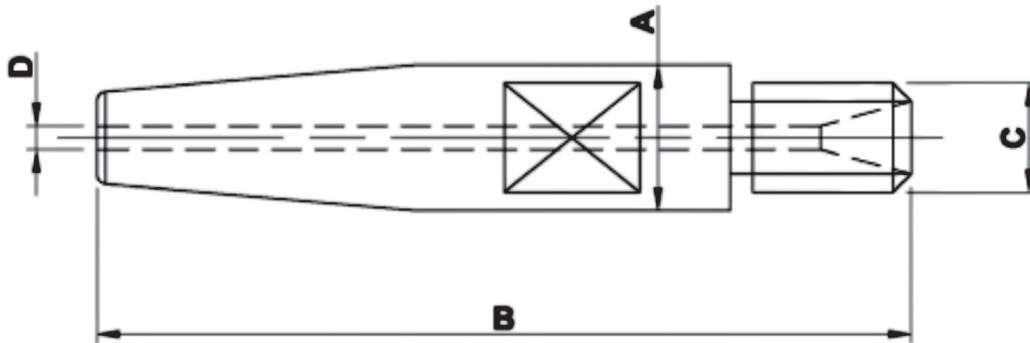
<b>Material</b>	<b>Chemistry</b>	<b>Hardness</b>	<b>Electrical Conductivity</b>
<b>Mipalloy 3ZR, Chromium Zirconium Copper (UNS No. C18150)</b>	<b>Chromium 0.5 to 1.5% Zirconium 0.05 to 0.25% Balance Copper</b>	<b>70 to 83 HRB</b>	<b>80% IACS</b>

**Mipalloy MIG/Co<sub>2</sub> welding contact tips are used in the following industries**

- Automobile & Auto ancillary manufacturers
- Railways
- Tractor & Earth moving equipment manufacturers
- Pollution control equipment manufacturers
- High pressure Boiler & Pressure Vessel manufacturers
- Metal Fabrication units for sugar, cement, mining, marine & oil refineries
- Construction Industry
- Ship Building, Aircraft Manufacturing Industry

## Mipalloy MIG/Co<sub>2</sub> welding contact tips

Mipalloy manufactures MIG/Co<sub>2</sub> welding contact tips in the following sizes & also as per customers requirement



Dia (A) mm	Length (B) mm	Thread (C)	Wire Size (D) mm
6	24/25/27/28	M6	0.8/1.0/1.2
8	24/25/28/30/32/33/34/36/38/40/45	M6/M8	0.8/1.0/1.2/1.6
10	30/32/35/40/45	M8/M10	1.0/1.2/1.6/2.4/2.5/3.0/3.2
12	25/35/42	M8/M10/M10 LH	1.2/1.6/2.0
15	39	M14	2.4

### Advantages of Mipalloy contact tips

- Mipalloy MIG welding contact tip in Mipalloy 3ZR material offers three times the life of a standard Copper contact tip
- Mipalloy MIG welding contacts tips offer premium weld quality with lower defects such as poor wire feeding, wire wandering/wire whip, sticking, wire burn back, erratic arc/micro arcing, offset welding

### Advantages of Mipalloy contact tips:

- Mipalloy contact tips are manufactured from premium quality raw material of Mitsubishi Materials Corporation, Japan with high purity & less oxygen content of less than 5 ppm
- Mipalloy contact tips are replacement parts for OEM of Panasonic, SKS, Fronius, Abicor-Binzel, Tokin, OTC Daihen, Mechafin, ESAB, Murex, Philips, Dinse, Advani - Oerlikon / Ador welding, Hypertherm, Linde, Cebora, L-tec, Thermal dynamics, Lincoln Electric, Millerelectric, Forney, Everlast welder, Hobart Welding, Kemppi

### Testimonials on performance of Mipalloy MIG welding contact tips

#### 1) Honda ancillary division in Karnataka

MIG Welding Operation	Product	Contact Tip Size	Existing contact tip in Copper material (No of components welded)	Mipalloy contact tip in Mipalloy 3ZR material (No of components welded)
ROBOTIC WELDING (YASKAWA ROBOTS)	SWING ARM COMP PR(52110-KON-D000)	Φ8xM6x45xΦ1.2 mm	1100	3000
MANUAL WELDING (HI ARC M400-R)	STAND COMP MAIN (50500-KON-D000)	Φ8 xM6x45xΦ1.0 mm	1200	3750

1) Formwork manufacturing company based in Pune

Contact tip size	Increase in life with Mipalloy 3ZR material over existing copper tip	Remarks	Advantage
Φ8 xM6 x45xΦ1.2 mm	100%	Life of Mipalloy contact tip is more than 2 times the existing copper tip	Continuous cleaning is not required in Mipalloy contact tip

3) Cost saving with Mipalloy MIG welding contact tips

Company	Existing contact tip (Monthly consumption)	Mipalloy contact tip (Monthly consumption)	Monthly saving in production cost using Mipalloy contact tip	Annual saving in production cost using Mipalloy contact tip
Ancillary of Honda kolar	Copper contact tip Φ8 x M6 x45xΦ1.2 mm (1200 nos)	Mipalloy 3ZR, Chromium Zirconium Copper contact tip Φ8 xM6x45xΦ1.2 mm (600 nos)	16,000 (INR)	1,92,000 (INR)

**Mipalloy MIG Welding Contact Tips**



**Partial List of our Customers:**

